

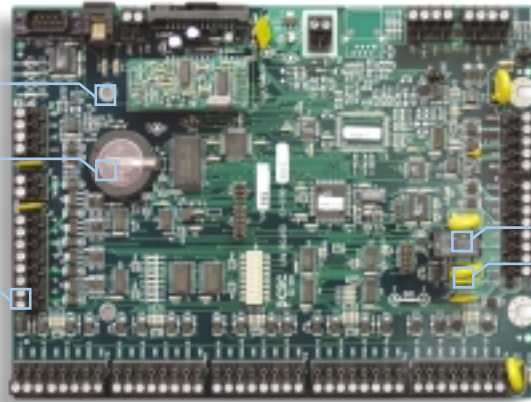
iAM

Control and Monitor Up to 21 Alarm Zones

Standardized Form Factor
Designed for Upgrading Ease

Dedicated Replaceable
Battery for Preservation of
Clock, Calendar and all
Programmed Data

Removable Screw-Down
Terminals for Easy
Wiring



Removable Socketed
Relays for Multiple
Specific Uses

Integrated Self Resetting
Poly-Switch Fuses in
Series with Door Relay
Contacts.

The **iAM** is a completely integrated intrusion and access control system. It allows a security alarm customer the option of adding access control without replacing or adding hardware. Each controller provides two doors of access control plus 21 zones of alarm monitoring. It's the perfect solution for small application systems. Utilizing English menus, the user can follow simple instructions to program and display the necessary guidelines. The customization is accomplished by using PCSC's LiNC-Ez software. The system is programmed with factory default settings for the most common uses such as a Holiday list and Time Schedules for determining access privileges.

Capacities

- 21 Alarm Zones
- 99 User Definable Zone Groups
- 99 User Defined PIN (4 or 5 digits)
- 99 Access Levels
- 4,000 History Transactions
- 3,000 Cardholder Capacity
- 16 Site Codes
- 50,000 History Transaction with LiNC-Ez System Software
- 8,000 to 24,000 Cardholders
- 16 site codes
- 4 Authorization Groups per Cardholder
- 64 Programmable Holidays

Features

- 100% Distributed Intelligence
- Default Factory Defined Database
- Access Authorization by "Arm Status"
- Access Authorization by Time of Day, Day of Week and Holiday
- Handicapped Access Entry Management
- Cleaning Crew Access Management
- Contractor Access Management
- Multiple Tenant Control
- Package & Postal Delivery Management
- Automatic System Deactivation by Cardholder
- Automatic Timed Door Opening and Closing by Cardholder
- Automatic Card Activation or Deactivation By Date
- Supervised Reader Detection
- Optional Reader Expansion Controllers
- Optional Terminal Server LAN Communication
- Security Guard Monitoring
- Automatic Alarm Zone Group Deactivation by Cardholder
- Automatic Daylight Savings Control
- Automatic Holiday Control
- Supervised Bell Output
- Supervised Enclosure Tamper
- Contact ID Central Station Communication
- 5 State Supervised Zone Monitoring
- User Defined Zone Names
- User Defined Zone Groups
- User Selectable Zone State (Supervised or Non Supervised)
- Individual Zone Calibration Control
- On-board Clock Calendar
- Auto Power Fail Notice
- Low Battery Notice
- UL 294, 1076, AUSTEL and CE Listed

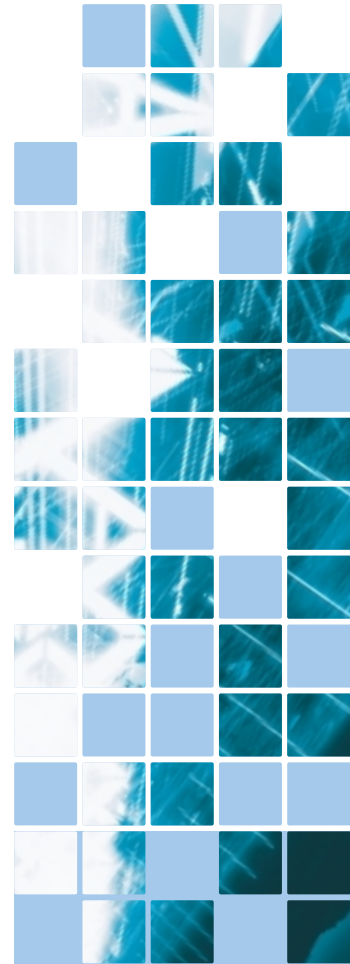
Reader Technologies Supported

- Proximity
- Smart Card
- Magnetic Stripe
- Keypad
- Biometric

Communications Supported

- RS485 or RS232
- Dial-up Modem
- Leased Line
- Wireless
- Fiber Optics
- Optional 10/100 TCP/IP Ethernet

INTEGRATED ALARM MONITORING & ACCESS CONTROL



LOGICAL
INTELLIGENT
NETWORK
CONTROLLERS

PCSC

Commitment to Excellence

All PCSC products allow full forward and backward compatibility. Intermixing is also capable with the NRX controller. In addition, all products are backed by our commitment for complete customer satisfaction.



iAM

Optional Upgrades	Model#
Cardholder Capacity up to 10,000	X
Universal Power Supply with Charger	P3
Enclosure	S

Specifications
Relay Rating: Form C 2.5 Amps @24 VDC
Environmental: 32°-115°F (0°-46°C)
Humidity: 0 - 98% Non-Condensing

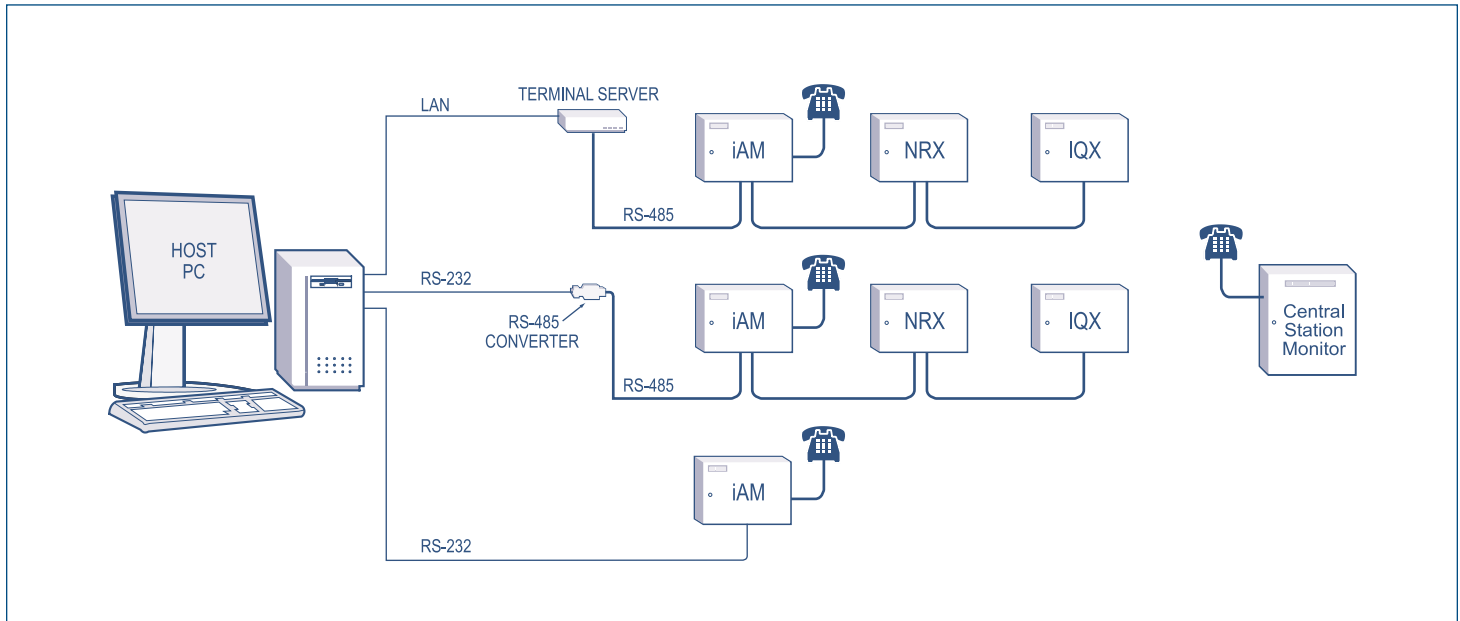
Enclosure Dimensions
16 AWG CRS enclosure with Tamper, Lock, and Key
Small: 11.5"h x 16.25"w x 3.88"d (29.21 cm x 41.27 cm x 9.85 cm)

Cabling Requirements
Host-to-Controller: 4 conductors (RS-485) Maximum Total Distance 4,000 ft. (1,219 m)
Controller-to-Controller: 4 Conductors (RS-485) Maximum Total Distance 4,000 ft. (1,219 m)
Controller-to-Door: Reader: 6 Conductors Maximum 500 ft. (152 m) or 2,000 ft. (609 m) with Adapter
Door Strike: 2 Conductors Maximum 2,000 ft. (609 m)
Door Status: 2 Conductors Maximum 2,000 ft. (609 m)
REX: 2 Conductors Maximum 2,000 ft. (609 m)
Controller-to-Input-Point: 2 Conductors Maximum 2,000 ft. (609 m)

Composite Cable (CBLCOMP) available, which includes all necessary cables for Controller-to-Door.

Note: All cable except Door Lock is 22 AWG, Twisted, Shielded and with an Overall Shield. Door Lock is 18 AWG, Stranded with Shield.

	TCP/IP Communication	Reader Ports	Door Lock Relay	Door Status Supervised Input	Request To Exit supervised	Supervised Readers	Additional Supervised Inputs	Voltage Outputs	Enclosure Tamper	Upgrade Capable	Max Power Amps@12VDC
iAM	Optional	1	1	1	12	2		1	1	YES	0.7



IAM-0905